

# TensionLite Ultra Portable 10ft. Wave Shape Design

TensionLite displays have customary frame features, are portable and come in Straight, Vertical Curved, Horizontal Curved and Serpentine Curved options. The economy aluminum tube frame features bungee cords, rounded corners and comes with a one year limited warranty. Simply pull the pillowcase fabric graphic over the frame and zip. All displays come with a canvas carry bag.



## features and benefits:

- Economy aluminum tube frame features bungee cords and rounded corners
- Easy to store and ship
- Quick to set up
- Includes: one frame, pillowcase zipper fabric graphic and canvas carry bag
- One year limited hardware warranty against manufacturer defects

## dimensions:

Hardware	Graphic
<p>Assembled unit: 120”w x 88.125”h x 25.5”d 3048mm(w) x 2238.4mm(h) x 647.7mm(d)</p> <p>Approximate weight: 11.1 lbs / 5.03 kgs</p>	<p>Total visual area: 120”w x 96”h 3048mm(w) x 2438mm(h)</p> <p>Please be sure to include a 2” bleed around the perimeter.</p> <p>Refer to related graphic template for more information.</p>
<p>Shipping</p> <p>Shipping dimensions: 32.3”l x 11.02”w x 7.5”h 820mm(l) x 280mm(w) x 109.5mm(h)</p> <p>Approximate shipping weight: 12.6 lbs / 5.7 kgs</p>	

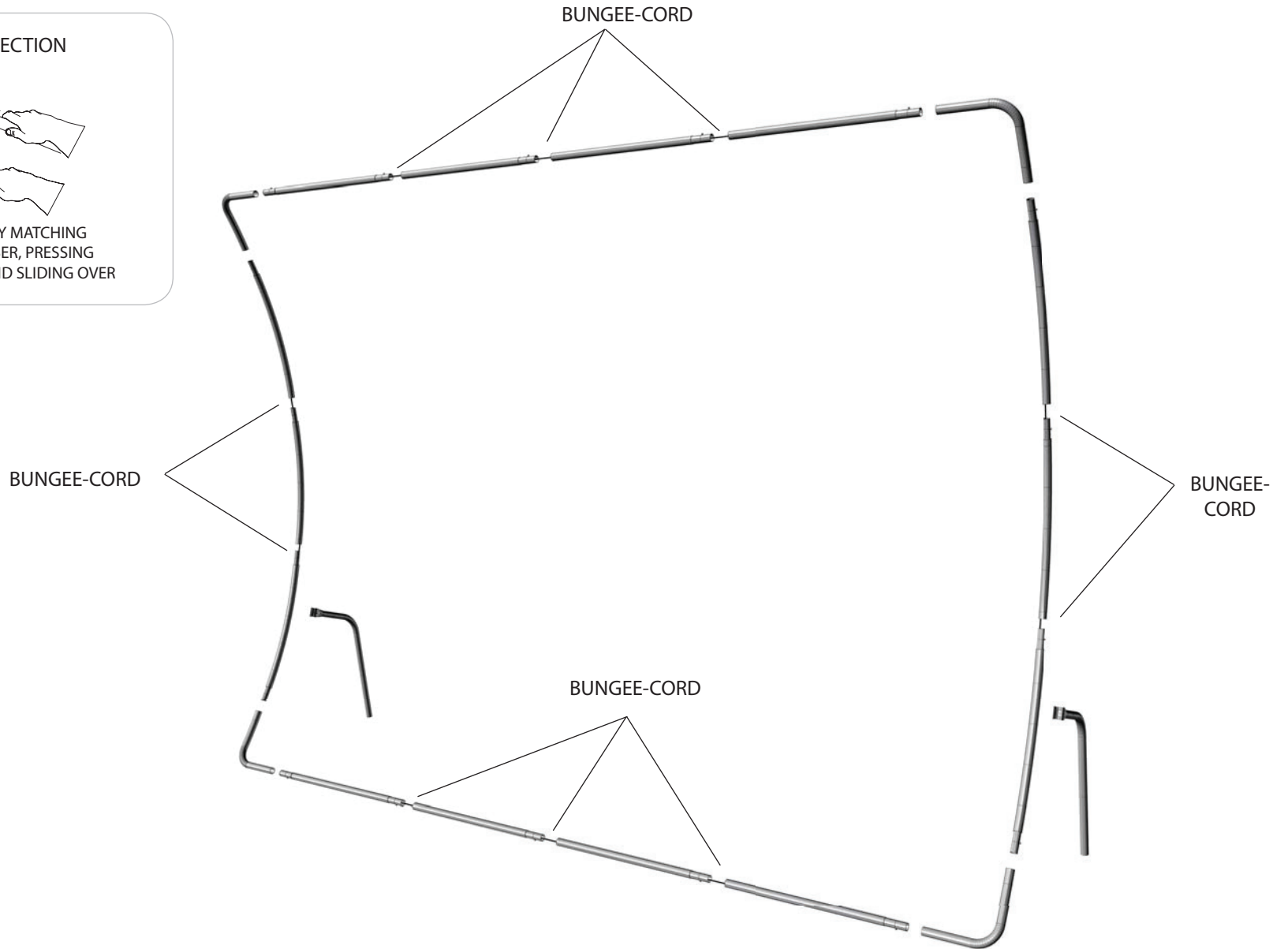
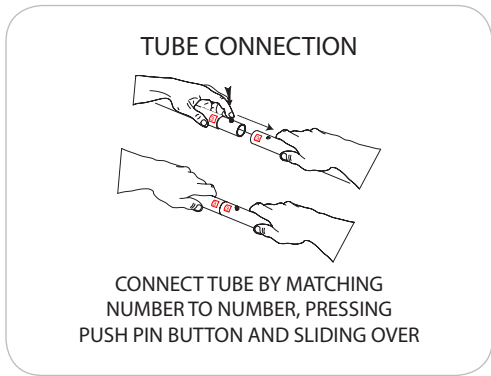
## additional information:

Graphic material:  
dye-sublimation zipper pillowcase fabric

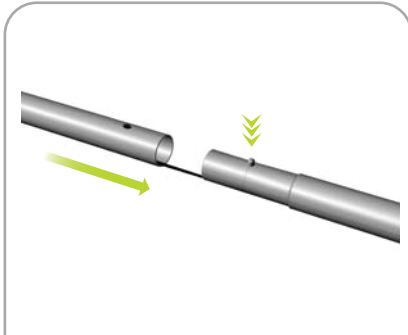
We are continually improving and modifying our product range and reserve the right to vary the specifications without prior notice. All dimensions and weights quoted are approximate and we accept no responsibility for variance. E&OE. See Graphic Templates for graphic bleed specifications.

**Assembly:**

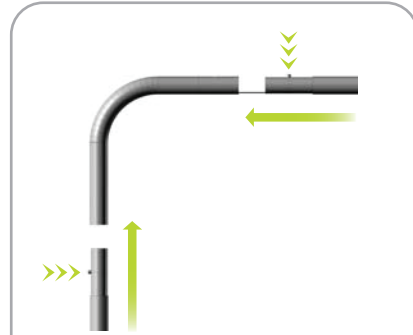
Assemble unit by laying tubes flat on the floor. Connect the bungee tube rails by pressing the push snap buttons in and sliding over (see drawing below) following the number labels listed, T1 to T1, T2 to T2 and so on.



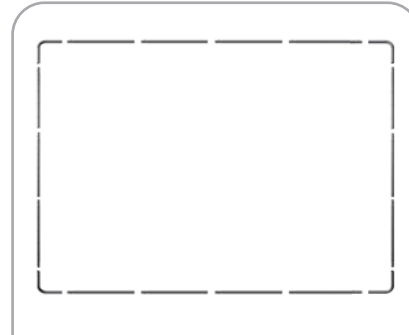
### STEP 1: ASSEMBLE FRAME



Connect bungee tubes by lining up holes with snap buttons

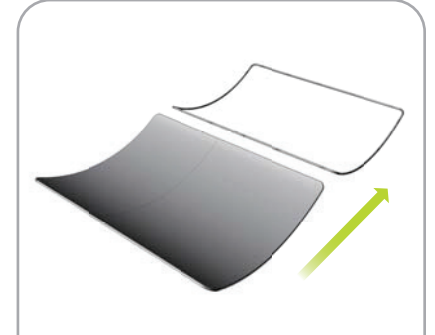


Connect corners of frame by lining up holes with snap buttons



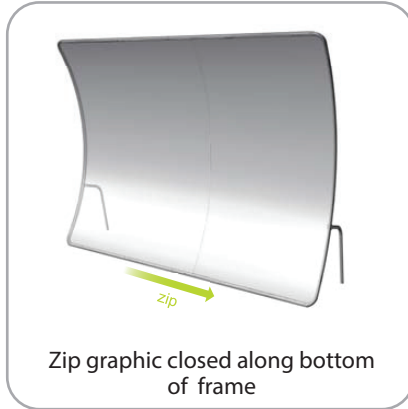
Frame assembly is complete once all sides are connected

### STEP 2: ATTACH GRAPHIC



Slide graphic over top of frame

### STEP 3: ATTACH FEET



Zip graphic closed along bottom of frame



Align foot with vertical tube on side of frame



Push foot on at downward angle to lock into backwall frame